

Alpha

E-TEC HYBRID

PACKAGED HEAT PUMP SOLUTION



Part of Immergas

E-TEC HYBRID

KEY FEATURES:

- + Packaged heat pump solution
- + Instantaneous hot water on demand, no need for stored hot water
- + Anti-freeze protection can be used without Glycol
- + Always chooses the cheapest fuel source based on current energy tariff
- + Simple hydronic layout, very easy to install
- + Hydrogen blend compatible (up to 20% hydrogen)
- + No need to upgrade existing heating system, minimising install costs
- + 5 Year Warranty on approved and correctly installed/maintained installation

The Alpha E-Tec 33 HB boiler is connected with the Alpha E-Tec EHP external heat pump unit to give a full hybrid solution.

Together with the supplied Smartech controls this gives high efficiency heating and hot water. The package uses energy prices and temperature to choose the most efficient combination to heat the home. Hot water is provided instantaneously by the gas boiler when required.

Depending on the demand and outside temperature the heating flow temperature is adjusted to heat the property effectively. The system will automatically vary the water temperature in the radiators depending on the outside temperature.

The radiators may not always feel very hot on mild heating days. This is normal and the room temperature will still be maintained to the required set temperature.

The domestic hot water temperature can be adjusted using the increase and decrease buttons on the boiler control panel. Alternatively, the hot water temperature can be adjusted in the settings on the app on your smart phone.

The maximum heating water temperature can also be adjusted for the heating circuit, however, this will still vary depending on outside temperature as the system calculates the most efficient temperature required.

E-TEC HYBRID HEAT PUMP SYSTEM

Part number 3.033346

SPECIALIST TRAINING FOR INSTALLERS

In order to support installers with the transition to renewable heating systems we offer dedicated training on our heat pumps and hybrid solutions.

Our in-house specialists provide practical advice on system designs, key features and considerations when fitting a heat pump; together with expert hands-on training in product positioning and installation.



Alpha

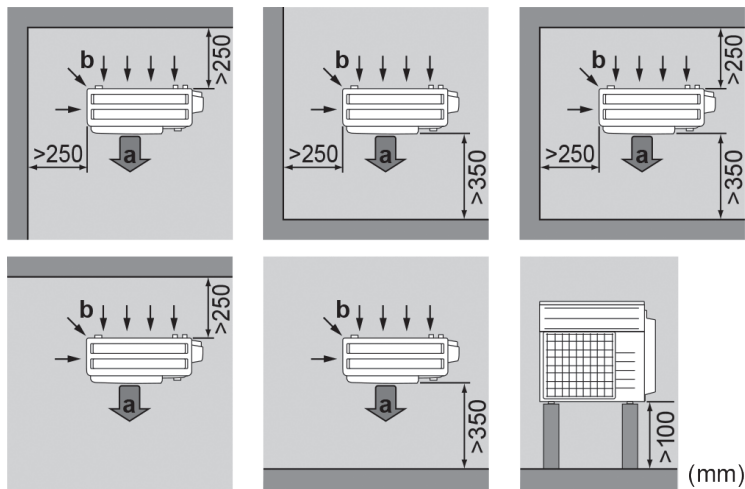
E-TEC HYBRID EHP 4kW

Model (nominal capacity)	4kW
SCOP	4.14
Power Supply	1Φ, 220~240V, 50Hz
COP @ 35°C (external temperature 7°C)	4.55
Operating Temperature (min/max)	- 15°C ~ 25°C
Minimum System Flow Rate	500 l/h
Breaker Size	16A
Piping Connections	1" BSP
Net Weight	45kg
Pre Charged R32	0.56kg
Compressor	Swing Compressor
Sound Pressure Level	37dbA
Sound Power Level	58.7dbA
Unit Casing	Single Fan

E-TEC HYBRID 33HB 33kW

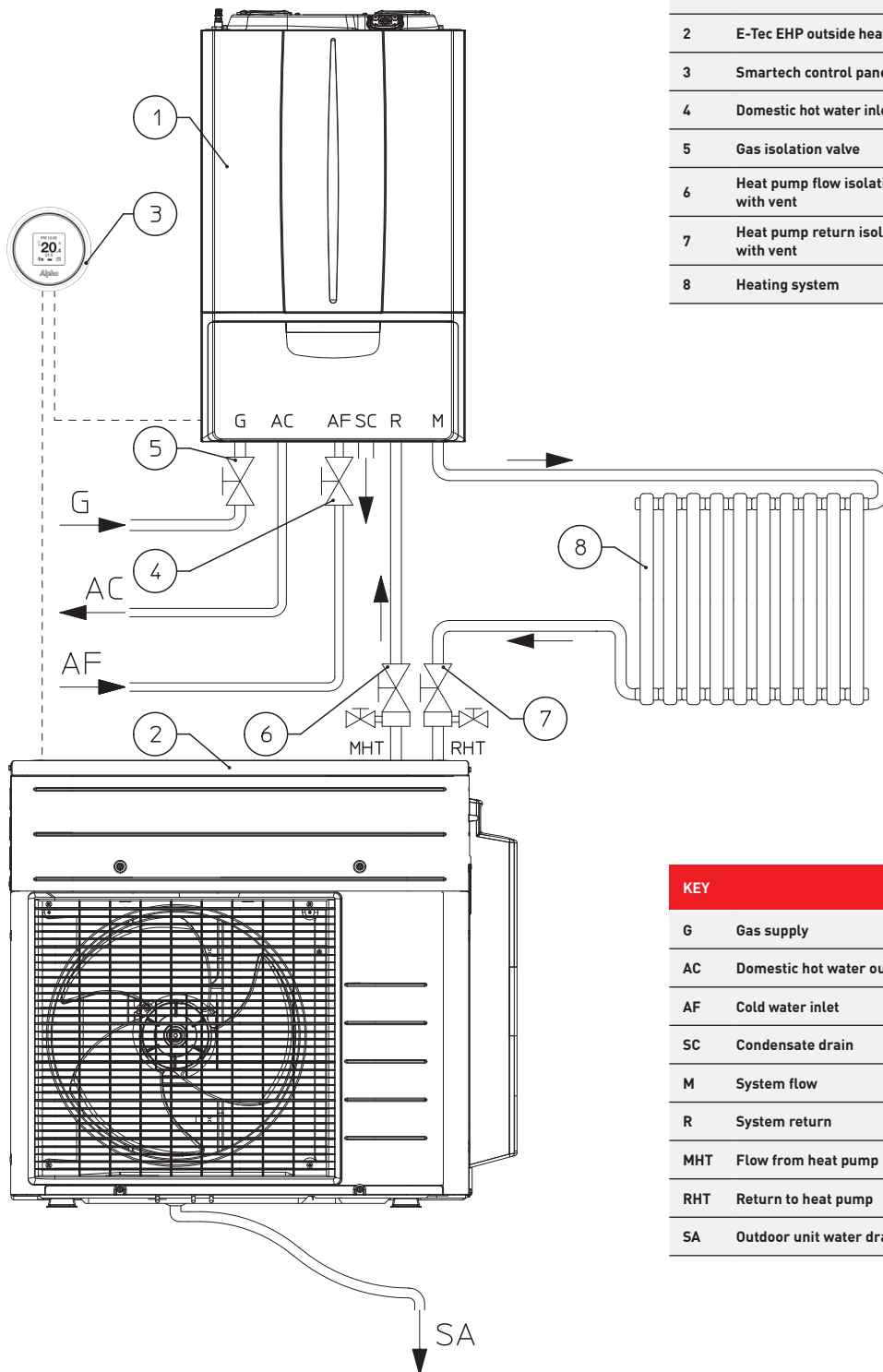
Model (nominal capacity)	E-TEC 33
Weight	35kg
Power Supply	1Φ, 220~240V, 50Hz
Flow Rate	14.1 LPM
Pump	Grundfos
Zinc Plated Expansion Vessel	8L volume

OUTDOOR INSTALLATION SITE REQUIREMENTS



DIMENSIONS

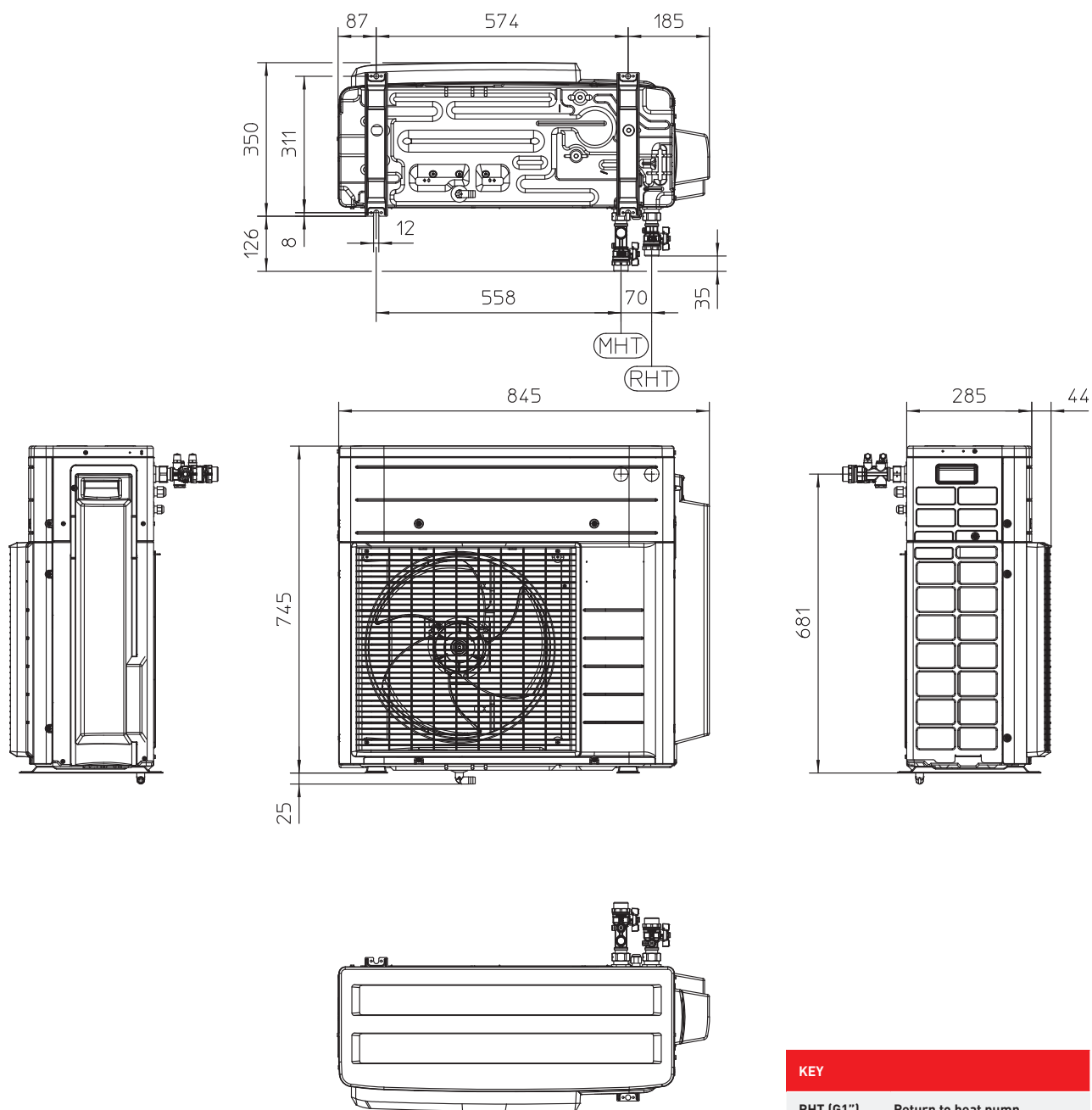
HYBRID HYDRAULIC DIAGRAM



KEY	
1	E-Tec 33HB internal boiler
2	E-Tec EHP outside heat pump
3	Smarttech control panel
4	Domestic hot water inlet shut-off valve
5	Gas isolation valve
6	Heat pump flow isolation valve with vent
7	Heat pump return isolation valve with vent
8	Heating system

KEY	
G	Gas supply
AC	Domestic hot water outlet
AF	Cold water inlet
SC	Condensate drain
M	System flow
R	System return
MHT	Flow from heat pump
RHT	Return to heat pump
SA	Outdoor unit water drain

CASING DIMENSIONS



KEY	
RHT (G1")	Return to heat pump
MHT (G1")	Flow from heat pump

Alpha

HEAD OFFICE

Nepicar House
London Road
Wrotham Heath
Kent
TN15 7RS

USEFUL NUMBERS

General sales enquiries	0344 871 8760
Order/Delivery enquiries	0344 871 8761
Sales order fax	0344 871 8762
Sales order email	orders@alpha-innovation.co.uk
Training academy	0344 871 8763
Technical helpline	0344 871 8764

HYBRID0922

www.alpha-innovation.co.uk

 **Carbon neutral**
Print product
ClimatePartner.com/17071-2210-1001

